

Technical Specification

VD100L

Deep Bowl Vivaldi Large Single Bowl & Drainer



Features

Lifetime Warranty

CE Approved

1000mm x 500mm overall size, with 220mm "DEEP" main bowl

80% Quartz content with ULTRA CLEAN anti-bacterial formula

Can be installed as LH or RH drainer

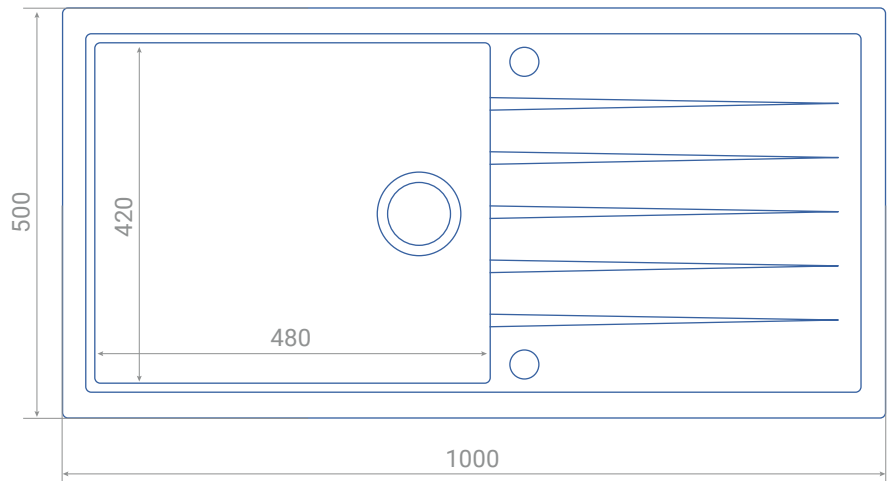
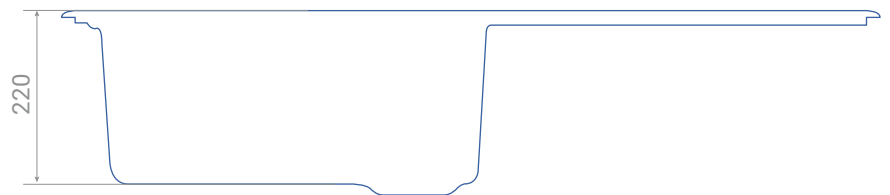
Supplied complete with waste, hygienic overflow and fitting clips

Minimum cabinet width required 600mm,

Waste disposal compatible

Waste Kit Code:

UKH039



Overflow specifications

