

Technical Specification

CD150

Deep Bowl Crystal 1.5Bowl & Drainer



Features

Lifetime Warranty

CE Approved

1015mm x 525mm overall size, with
200mm "DEEP" main bowl

Internal 327mm x 427mm (main bowl)
161mm x 272mm (small bowl)

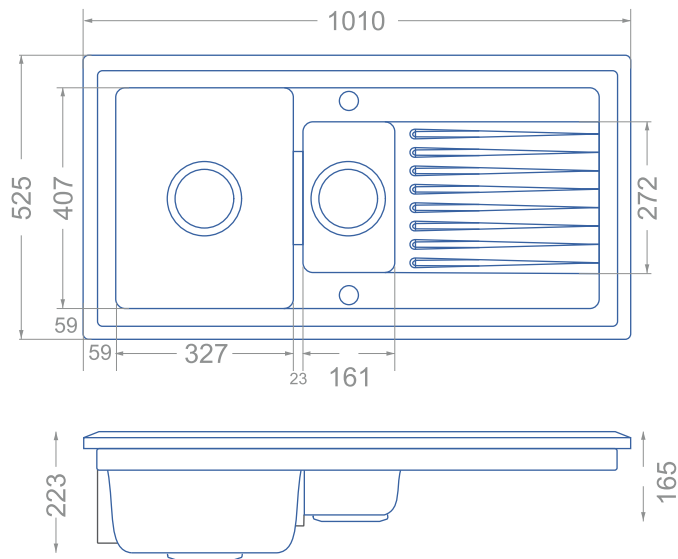
FFC (Fine fireclay material) with
hygienic glazed surface

Can be installed as LH or RH drainer

Supplied complete with 2x90mm
wastes and overflow (chrome finish)

Minimum cabinet width required
(600mm), Waste disposal compatible

+/- 2% tolerance in manufacturing



Waste Kit Code:

UKH040