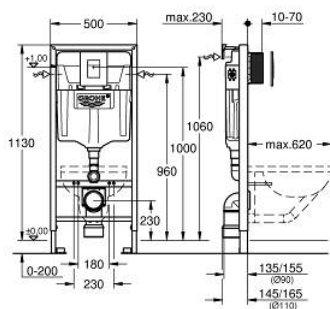


## 38 772 20A RAPID SL 3-IN-1 SET FOR WC, 1.13 M INSTALLATION HEIGHT

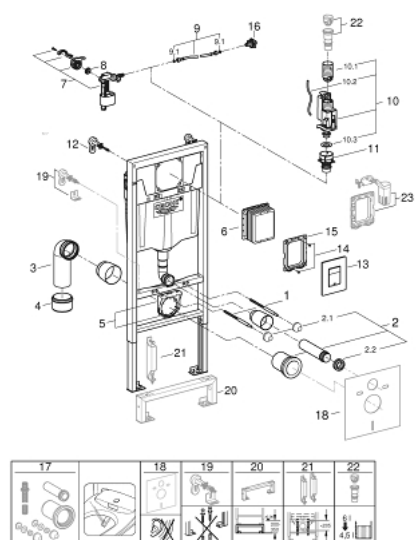


### PRODUCT DESCRIPTION

- with flushing cistern GD 2 , 6 l - 9 l
- including WRAS approved filling valve
- Consisting of:
  - Rapid SL element for WC (38 528 001)
  - Skate Cosmopolitan flush plate, chrome (38 732 000)
  - front wall brackets (38 558 00M)



## 38 772 20A RAPID SL 3-IN-1 SET FOR WC, 1.13 M INSTALLATION HEIGHT



### SPARE PARTS, December 2021 – now

- 1: Threaded bolt (Spare part-nr. 4276400M)
- 2: WC inlet and outlet connecting set (Spare part-nr. 37311K00)
- 2.1: Basin fastening (Spare part-nr. 43511SH0)
- 2.2: Connector (Spare part-nr. 37119000)
- 3: PP-outlet bend  $\varnothing$  90 mm (Spare part-nr. 42327000)
- 4: 4" outlet adaptor for Rapid SL (Spare part-nr. 42242000)
- 5: Support for outlet bend (Spare part-nr. 42243000)
- 6: Inspection shaft (Spare part-nr. 66791000)
- 7: filler valve UK (Spare part-nr. 42648000)
- 8: membrane UK (Spare part-nr. 4265000M)
- 9: Connecting hose (Spare part-nr. 42233000)
- 9.1: O-Ring (Spare part-nr. 0319100M)
- 10: Dual Flush discharge valve AV1 (Spare part-nr. 42320000)
- 10.1: Extension for overflow pipe (Spare part-nr. 42313000)
- 10.2: Pneumatic hose (Spare part-nr. 42319000)
- 10.3: Sealing washer (Spare part-nr. 42310000)
- 11: Valve seat for GD2 (Spare part-nr. 42315000)
- 12: Front wall brackets (Spare part-nr. 3855800M)
- 13: Top plate with push button (Spare part-nr. 42371000)
- 14: Screw (Spare part-nr. 6636200M)
- 15: Frame (Spare part-nr. 43207000)
- 16: Water Connection (Spare part-nr. 48561000)
- 17: Retrofit kit for shower toilets Sensia Arena and IGS (Spare part-nr. 40899000)\*
- 18: Set for noise protection (Spare part-nr. 37131000)\*
- 19: Xtra wall brackets, flexible placing (Spare part-nr. 38733000)\*
- 20: Flush pipe extension (Spare part-nr. 38629000)\*
- 21: Accessory (Spare part-nr. 38779000)\*
- 22: 4.5 l adapter for GD2 (Spare part-nr. 42333000)\*
- 23: Dual flush valve set (Spare part-nr. 38796000)\*

\* Optional accessories