

## URINAL BOWL 50CM EXPOSED INC SPREADER, WASTE & BRACKETS



<b>Product Code</b>	<b>UR50SET</b>
<b>Weight (Kg)</b>	10.0
<b>Material</b>	Vitreous China
<b>Colour</b>	White
<b>Flushing volume (Ltr)</b>	4.5/9
<b>Waste</b>	38mm (1.5") Waste Outlet
<b>Cisterns</b>	Small Cistern - URCIS
<b>Plastic Waste</b>	Yes
<b>Top Inlet Spreader</b>	Yes

### Pack Contains:

- 1 50cm urinal & Brackets (URBOW50 & BRACK)
- Top inlet spreaders (URTIS)
- Plastic dome wastes (URDWP)

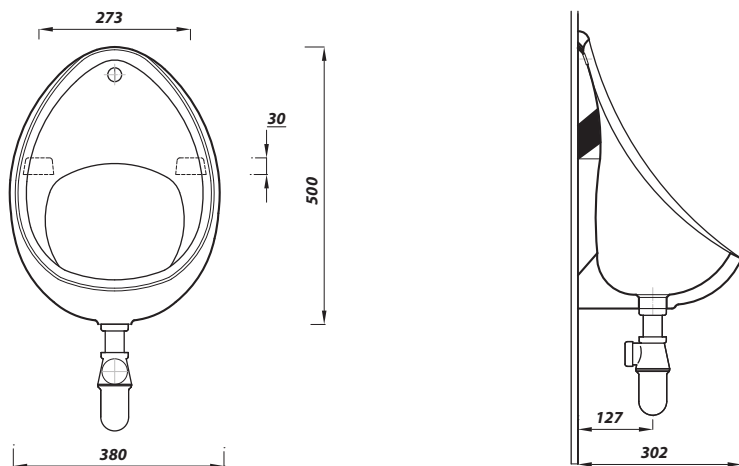
\*Does not contain boxed pipework & Cistern

### Description:

This conventional urinal is perfect for any commercial setting. Its simple design makes it easy to clean and maintain. It is supplied with a top inlet spreader, hanging brackets and a white plastic waste.

### Extra Products:

- Urinal Separator - URSEP
- Boxed pipework - URPWS (1 bowl), URPW2BOW (2 bowls), URPW3BOW (3 bowls), URPW4BOW (4 bowl)
- Small Cistern - URCIS (4.5ltr)
- Large Cistern - URCIL (9ltr)
- Autosypon - ASYP140 (for small cistern) ASYP159 (for large)



All dimensions are approximate and subject to normal ceramic variation. Although every effort is made not to change the above product specification, Lecico reserve the right to do so without prior notification if necessary. \*Against manufacturers defects. Full information on guarantees available upon request.