



**Overview:**

This conventional urinal is perfect for any commercial settings. Its simple design makes it easy to clean and maintain. The use of an autosiphon prevents excessive flushing in high traffic areas. This urinal is also available in a waterless pack to take water saving to the max!

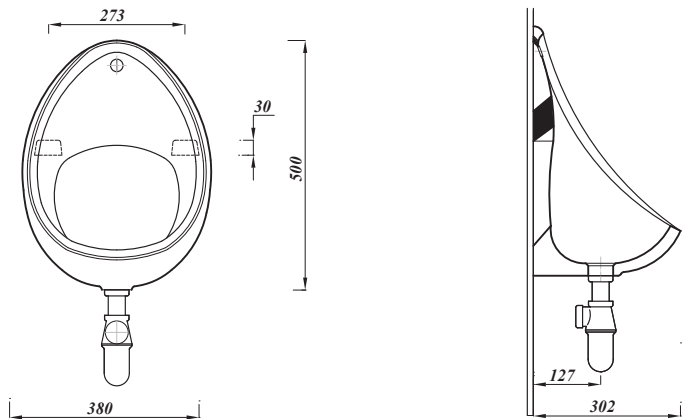
**Key product features:**

- Exposed or concealed inlet
- CE Compliant
- Waterless option available
- Pick up-packs available



Optional separator

Shown: 50cm urinals with exposed pipework  
UR50BOX3TOGO



Product:	50cm Urinal	Cistern	Spreader
Code:	URBOW50	URCI4.5	URTIS / URBIS*
Weight in kg:	10	6.5	0.2 / 0.4
Colour:	White		Chrome
Material:	Vitreous china		Metal
Standard:	BS5520, BS3402, EN13407-CL2-III-4.5B		n/a
DOP:	URL2		n/a
BiM download:	✓	✓	×
CAD download:	✓	✓	×
Flushing volume:	Up to two bowls: 4.5ltr Up to five bowls: 9ltr		
Flushing mechanism:	Autosiphon		
Waste:	38mm (1 1/2") waste outlet / 32mm (1 1/4") auto-cistern outlet		
WRAS:	Fittings are WRAS approved		
Extras:	White plastic waste: URDWP / Chrome waste: URDWC / Urinal separator: URSEP / Pipework: URPWS / Hanging brackets: BRACK		
Pick up pack codes:	(1 Bowl) UR50BOX1TOGO   (2 Bowl) UR50BOX2TOGO   (3 Bowl) UR50BOX3TOGO   (4 Bowl) UR50BOX4TOGO   (5 Bowl) UR50BOX5TOGO		
Pack contents:	50cm urinal(s), exposed chrome pipework, fixings & cistern inc appropriate sized auto syphon		
Waterless option:	URWALES500		

**Special notes**

\*URBIS is a back inlet spreader to be used in concealed installations with the use of a concealed cistern  
URTIS is a top inlet spreader for use in exposed installations (as shown in image left).

All dimensions are approximate and subject to normal ceramic variation. Although every effort is made not to change the above product specification, Lecico reserve the right to do so without prior notification if necessary.