



Overview:

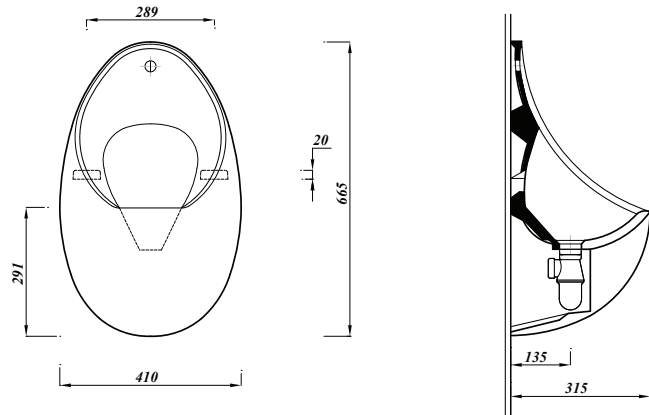
Achieve a cleaner look by concealing pipework and wastes, to create an upmarket finish. This concealed urinal is perfect for all commercial settings. Its bold design makes it easy to clean and maintain.

Key product features:

- Exposed or concealed inlet
- CE Compliant
- Waterless option available
- Concealed waste

Product:	60cm Urinal	Cistern	Spreader
Code:	URBOW	URCONASYP1*	URBIS
Weight in kg:	14.6	2.2	0.6
Colour:	White		Chrome
Material:	Vitreous china		Metal
Standard:	BS5520, BS3402, EN13407-CL2-III-4.5B		n/a
DOP:	URL2		n/a
BiM download:	✓	✓	×
CAD download:	✓	✓	×
Flushing volume	Up to three bowls: 4.5ltr Up to five bowls: 9ltr		
Flushing mechanism	Autosiphon		
Waste:	38mm (1½") waste outlet		
WRAS	Fittings are WRAS approved		
Options:	Plastic waste: URDWP / Urinal separator: URSEP		
Waterless option:	URWALES600		

Shown: 60cm urinal with urinal separator
UR60SET - URSEP



Special notes

*Although possible to use an exposed header tank, a more common installation utilises our concealed header tank (including autosiphon)

All dimensions are approximate and subject to normal ceramic variation. Although every effort is made not to change the above product specification, Lecico reserve the right to do so without prior notification if necessary.