

CARLA

Rectangular steel bath with anti-slip base



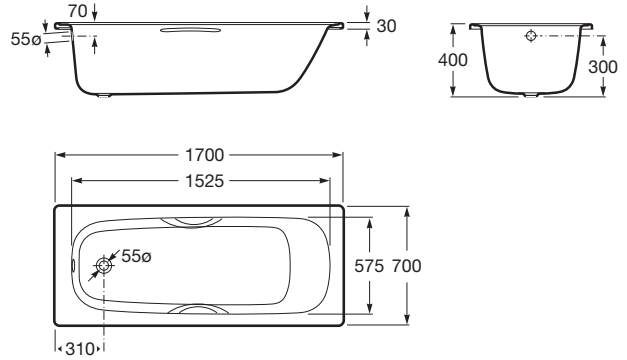
DIMENSIONS

Length 1700 mm
 Width 700 mm
 Height 400 mm

COLOURS AND FINISHES

00 White

TECHNICAL DRAWINGS



FEATURES

Anti-slip type: Added

Capacity (people): 1

Drain: Not included

Installation legs: Optional legs

Installation type: Drop-in

Shape: Rectangular

Taphole configuration: 2 tapholes (diameter 36mm)

Water capacity to overflow (l): 195

Carla

This collection stands out because of its warmth, freshness and versatility. These characteristics make it ideal for any kind of space, combining design, technology and style.